

4

3

2

1

070-3415
ISD CYLINDER ASSEMBLY

070-3422
HAND
GRIPS (2) Hex Hand
Grips

070-3150
BACKPACK ASSEMBLY
4 Gal Backpack Sprayer, Bulkhead Fitting,
Bulkhead QD Coupler

070-3430
LANCE ADAPTER KIT
Lance Adapter, 1/4" Compression Fitting,
21" x 3/8" Tubing

070-3425
REPLACEMENT BATTERY
18V Li-Ion Rechargeable Battery

070-3421
FOOTPLATE KIT
Footplate, Nylon Gasket,
Jam Nut (No Grip Tape)

070-3431
ROLLED HOUSING ASSEMBLY
Stainless Steel Housing,
Trim Guard, Logo Decals

070-3423
NOZZLE EXTENDER KIT
6" Lance Nozzle Extender

070-3428 HOUSING HANDLE KIT
3D Printed Handle,
(2) 1/4" Locknut,
(2) Brace Handle Bolt,
(2) 1/4" Washers

070-3424
NOZZLE 2PK KIT
(2) Nozzle Tip

070-3420 4GAL ISD
TUBING KIT
10" x 1/4" Tubing, 8.5" x 1/4" Tubing,
5' x 3/8" Tubing



4

3

B

B

A

4

3

2

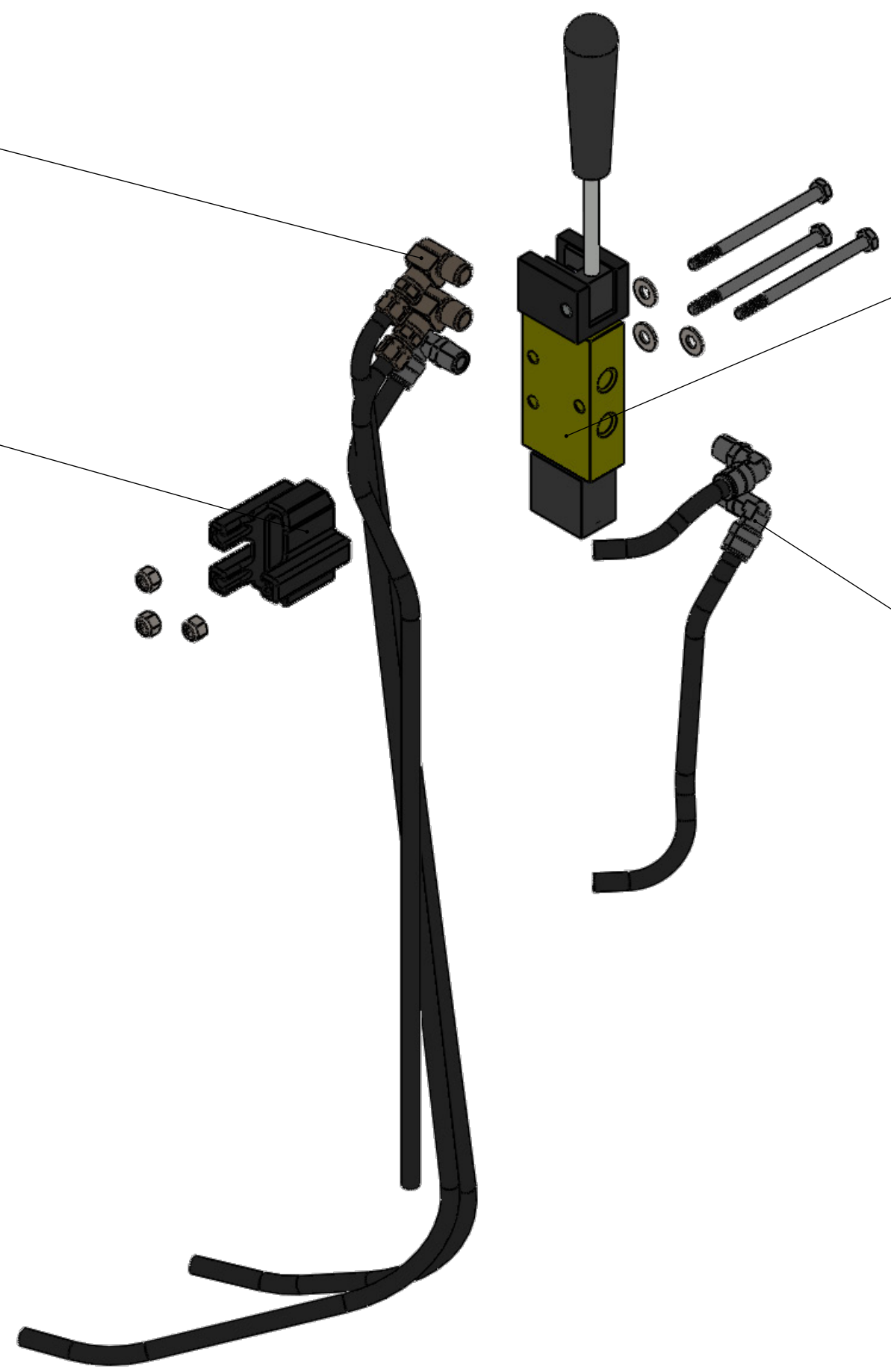
1

070-3414 ELBOW
3/8" PTC 2PK (3) 3/8"
Elbow PTC

070-3412
VALVE ASSEMBLY KIT Valve, Valve
Handle, (2) 1/4" Elbow PTC, (3) 3/8"
Elbow PTC

070-3426 VALVE SPACER ...
Valve Spacer, (3) Valve Bolt, (3)
1/4" Lock Washer, (3) 1/4" Nut

070-3413 ELBOW
1/4" PTC 2PK (2) 1/4"
Elbow PTC



ARBORJET®

4

3

2

1

B

B

A